

Highly Intergrated 5W Wireless Charging Transmitter Controller

1 Features

- **Compliant with WPC specifications transmitter design**
- **Support 5W applications**
- **Support FOD (Foreign Object Detection) function**
 - ✧ **High sensitivity**
 - ✧ **Support dynamic FOD**
- **Low quiescent dissipation and high efficiency**
 - ✧ **4mA quiescent current**
 - ✧ **Low power automatic detection**
 - ✧ **Charging efficiency is up to 80%**
- **Adaptive charging current adjustment (DPM)**
 - ✧ **Support low voltage charger of 5V/500mA**
- **Minimal BOM**
 - ✧ **Integrate NMOS full bridge driver and full bridge power MOS**
 - ✧ **Integrate voltage demodulator**
 - ✧ **Integrate current demodulator**
- **Multiple protection, high reliability**
 - ✧ **Input overvoltage, undervoltage, overcurrent protection**
 - ✧ **NTC Overtemperature protection**
 - ✧ **ESD 4KV**
 - ✧ **Input withstand voltage up to 12V**
- **Status indication**
 - ✧ **Supports up to 2 LEDs for system states indication**
 - ✧ **Various charge status indications**
- **Firmware upgrades**
 - ✧ **OTP Memory**
 - ✧ **Support firmware upgrade unrepeatedly**

2 Applications

- **wireless charging base**

3 Description

IP6805S is a wireless power transmitter controller SoC that integrates all required functions for WPC Qi specifications compliant wireless power transmitter design. Support A11 coil, support 5W charging.

It used Analog Ping to detect a RX wireless device for charging with low standby power. Communication with the wireless charger receiver is established via Digital Ping, and after successful communication, power transmission begins.

Once RX device is detected, the IP6805S establish a communication with the RX wireless device and controls the coil power transfer by adjusting operation frequency, depended on calculating the data packages, received from RX device, with PID algorithm.

IP6805S integrate full-bridge driver and full bridge power MOS, includes voltage and current two-way ASK demodulation module, and input overvoltage/current protection and FOD module. IP6805U is a highly integrated SoC for small-size and low bom cost solutions and reduced time-to-market.

Contents

1 Features	1
2 Applications	1
3 Description	1
4 Reversion History	2
5 Simplified Application Schematics	3
6 Pin Configuration And Function	4
6.1 Pin Diagram	4
6.2 Pin Description	4
7 Functional Block Diagram	5
8 Absolute Maximum Ratings	5
9 Recommended Operating Conditions	5
10 Electrical Characteristics	6
11 Function Description	6
11.1 Full-bridge And Power MOS	6
11.2 DPM	7
11.3 Digital Demodulation	7
11.4 FOD Parameter Adjustment	8
11.5 NTC Thermal Protection	8
11.6 LED Status Indicator	8
11.7 Efficiency Test	9
12 Layout Notifications	10
13 Typical Application Schematic	11
14 Bom	12
15 Package	13
16 IMPORTANT NOTICE	14

4 Reversion History

Note: The page number of the previous version may be different from the page number of the current version.

First edition release (October 2022)

5 Simplified Application Schematics

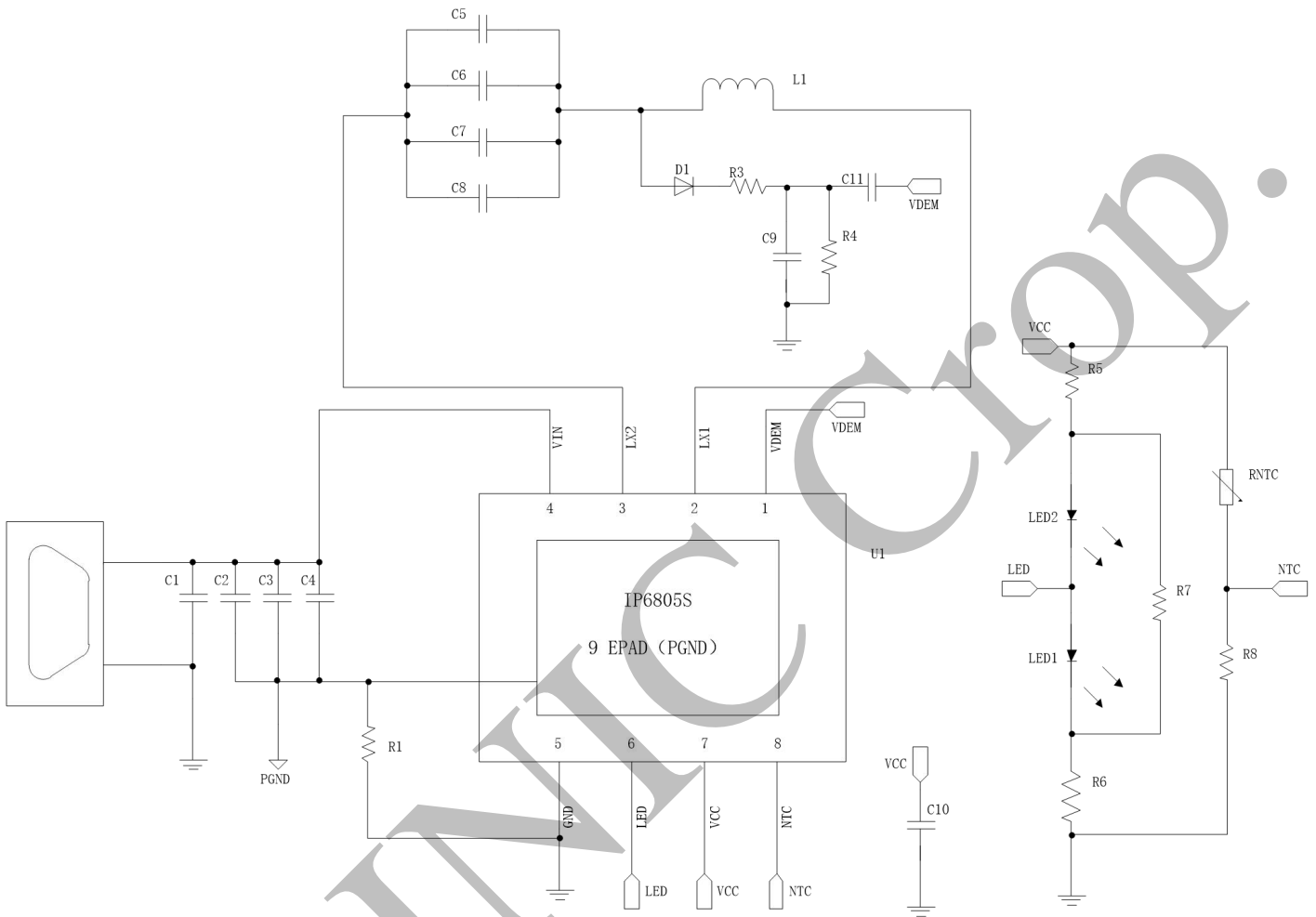


Figure 1 Simplified Application Schematics

6 Pin Configuration And Function

6.1 Pin Diagram

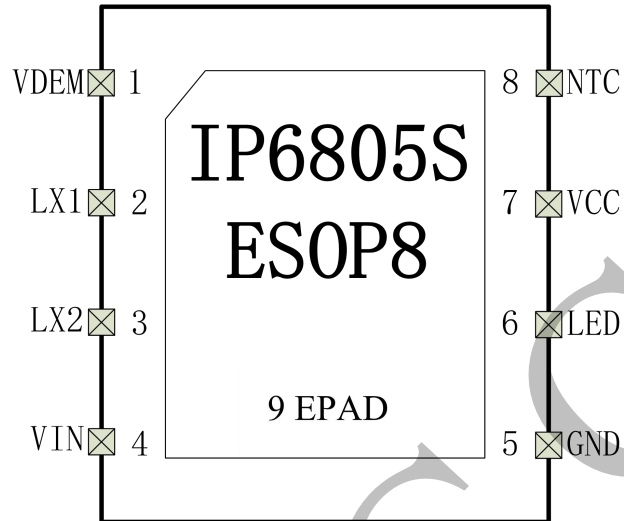


Figure 2 IP6805S Pin Diagram

6.2 Pin Description

Pin No.	Pin Name	Description
1	VDEM	Voltage communication/demodulation input
2	LX1	H-bridge switching node 1
3	LX2	H-bridge switching node 2
4	VIN	External voltage input Pin
5	GND	Analog Ground
6	LED	LED Driver Pin
7	VCC	Internal VCC supply, connect 2.2uF capacitor
8	NTC	NTC input Pin
9(EPAD)	EPAD	The power ground of the internal power MOS transistor is connected to the external 20 mΩ sampling resistor positive terminal

7 Functional Block Diagram

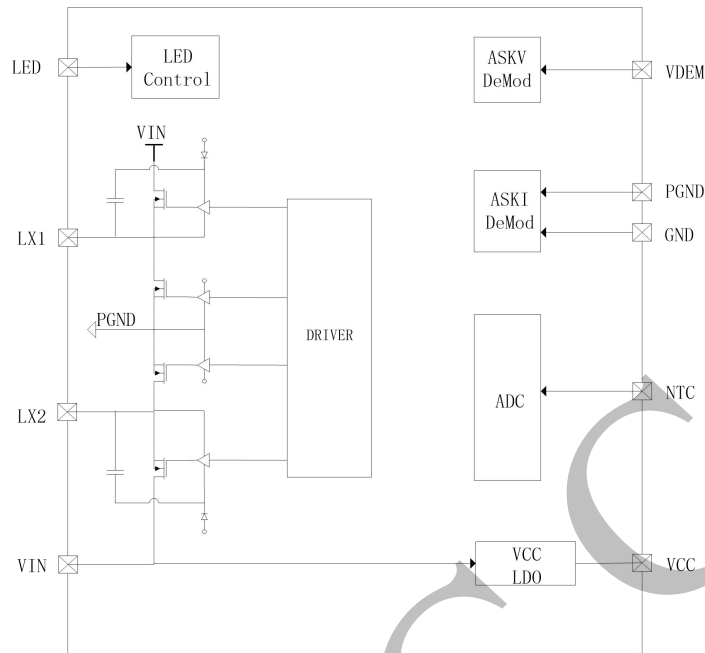


Figure 3 System Functional Diagram

8 Absolute Maximum Ratings

Parameters	Symbol	Min	Max	Unit
Input Voltage Range	VIN	-0.3	16	V
Junction Temperature Range	T _J	-40	125	°C
Storage Temperature Range	T _{stg}	-60	125	°C
Package Thermal Resistance	θ _{JA}	65		°C/W
Human Body Model (HBM)	ESD	4		KV

*Stresses beyond those listed under Absolute Maximum Ratings may cause permanent damage to the device. Exposure to Absolute Maximum Rated conditions for extended periods may affect device reliability.

9 Recommended Operating Conditions

Parameters	Symbol	Min	Typ	Max	Unit
VIN input Voltage Range	VIN	4.5	5	5	V
VCC Voltage Range	VCC	3.0	3.5	5	V
I/O Voltage Range	LED	GND-0.3		VCC+0.3	V
	NTC	GND-0.3		VCC+0.3	
	KEY	GND-0.3		VCC+0.3	

*Devices' performance cannot be guaranteed when working beyond those Recommended Operating Conditions.

*The default input voltage overvoltage setting is 6.5V, if you need to support 9V charging then you need to modify the overvoltage voltage.

10 Electrical Characteristics

Unless otherwise specified, TA =25°C

Parameters	Symbol	Min	Typ	Max	Unit	Test Condition
Input Voltage	VIN	4.5	5	5	V	
Internal power supply	VCC	3.0	3.5	5	V	
Input high level	VIH	0.7xVCC			V	
Input low level	VIL			0.3xVCC	V	
Input high level	VOH		VCC		V	
Input low level	VOL		GND		V	
LED Output current capability	LED Source Current		2	4	mA	Source current to output high level is 0.8*VCC

11 Function Description

11.1 Full-bridge And Power MOS

IP6805S includes two symmetry half-bridge drive module with built-in power MOS, PWM frequency adjustable range is 110kHz~205kHz with 0.25kHz/step.

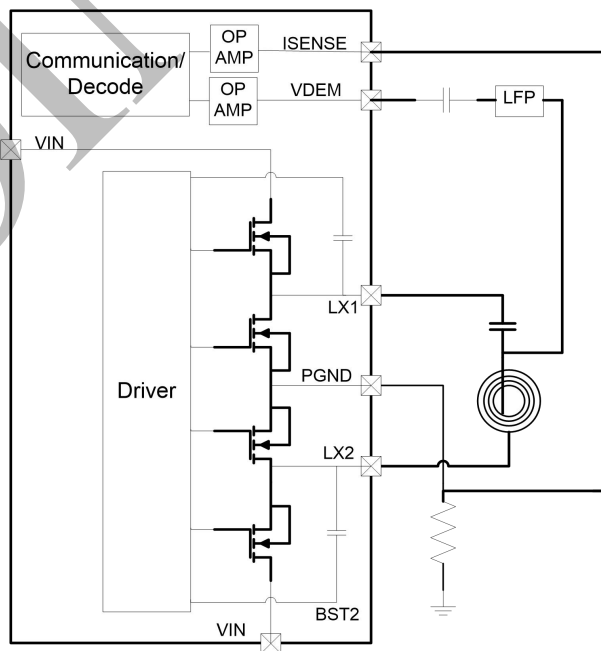


Figure 4 Full-bridge drive application circuit

11.2 DPM

For USB power source with insufficient power supply ability, which can guarantee the charging status will not break off or suspend. When the system detect the input voltage is lower than 4.2V, DPM function will be enabled and the transmitting power will be reduced. When the input voltage returns to above 4.4V and the input current is reduced by 200mA compared to when entering DPM, the system exits the DPM state.

11.3 Digital Demodulation

IP6805S integrate two-way ASK demodulation modules, which can collect coil voltage and current for ASK communication demodulation and decoding respectively. The current decoding gets the signal through the sampling resistor and sends it to IC for digital demodulation and decoding.

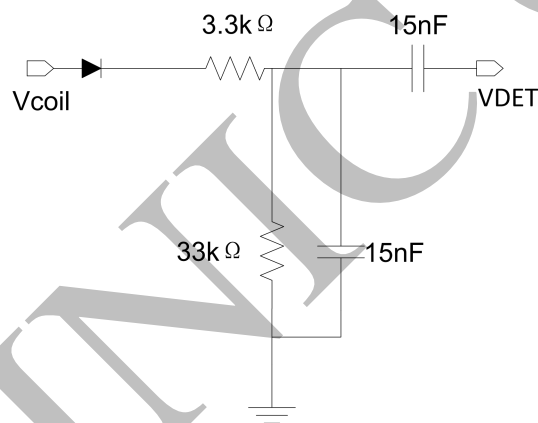


Figure 5 Voltage ASK demodulation external circuit

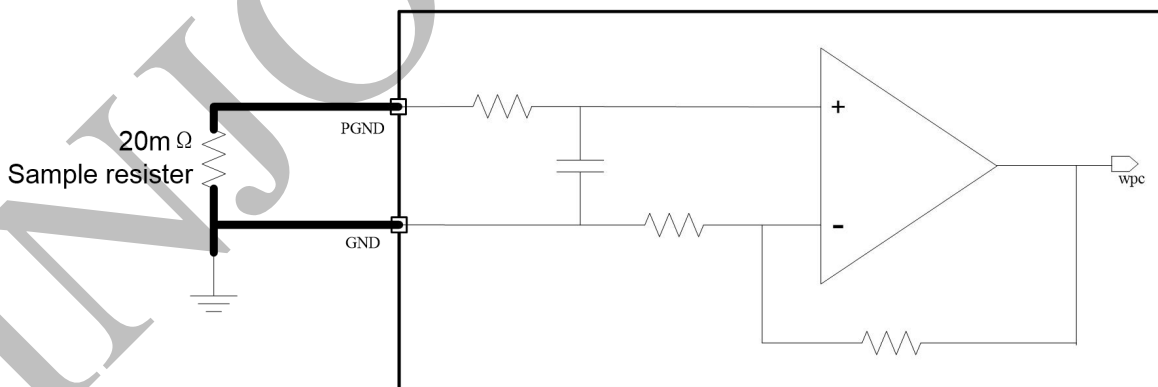


Figure 6 Current ASK demodulation external circuit

11.4 FOD Parameter Adjustment

IP6805S supports static FOD foreign object detection and dynamic FOD foreign object detection;

Static FOD means that foreign objects on the coil can be detected without wireless charging;

Dynamic FOD means that foreign objects on the coil can be detected while charging wirelessly, Need special custom firmware support if you need to adjust;

11.5 NTC Thermal Protection

The IP6805S supports NTC protection function. After VCC is divided by NTC thermistor and pull-down resistor, it is input to the NTC pin of IP6805S, and the system will end power transfer when the voltage of NTC pin is higher than $1/2 VCC$ voltage. When the voltage at the NTC pin is lower than $1/2 VCC - 300mV$ after NTC protection, charging resumes. NTC protection when $R_{NTC} < R_{SetPoint}$.

NTC resistor selection 100k, B=3950.

Eg. If the protection temperature is 50°C, then $R_{SetPoint}=35k$

If the protection temperature is 60°C, then $R_{SetPoint}=24k$

If the protection temperature is 70°C, then $R_{SetPoint}=17k$

If the protection temperature is 80°C, then $R_{SetPoint}=12k$

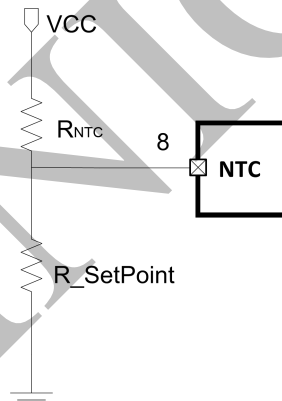


Figure 7 NTC circuit

11.6 LED Status Indicator

IP6805S can drive 2 LEDs via LED pin in Time Division Multiplexing. LEDs' status and system status relations are listed below:

Status	LED1	LED2
Power-on	Off	Flashing
Standby	Off	Off
Charging	On	Off
Full charge	Off	On
Abnormal	Off	Flashing

Support configuration tool to modify firmware, supports up to 2 LEDs.

11.7 Efficiency Test

Using IDT P9221 solution for RX device, the relationship of efficiency and system output power and test method are outlined below. (VOUT=5V).

$$\eta_{\text{system}} = \frac{P_{\text{OL}}}{P_{\text{in}}}$$

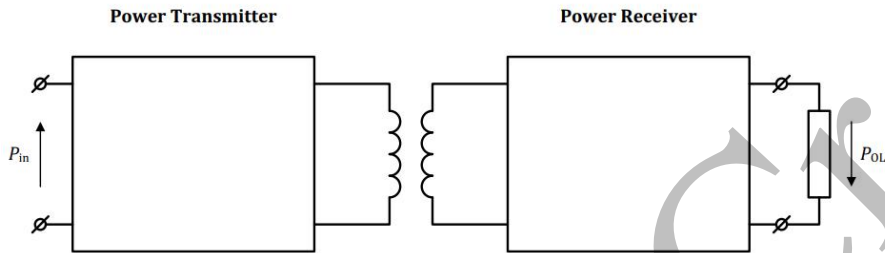


Figure 8 wireless charging power conversion model

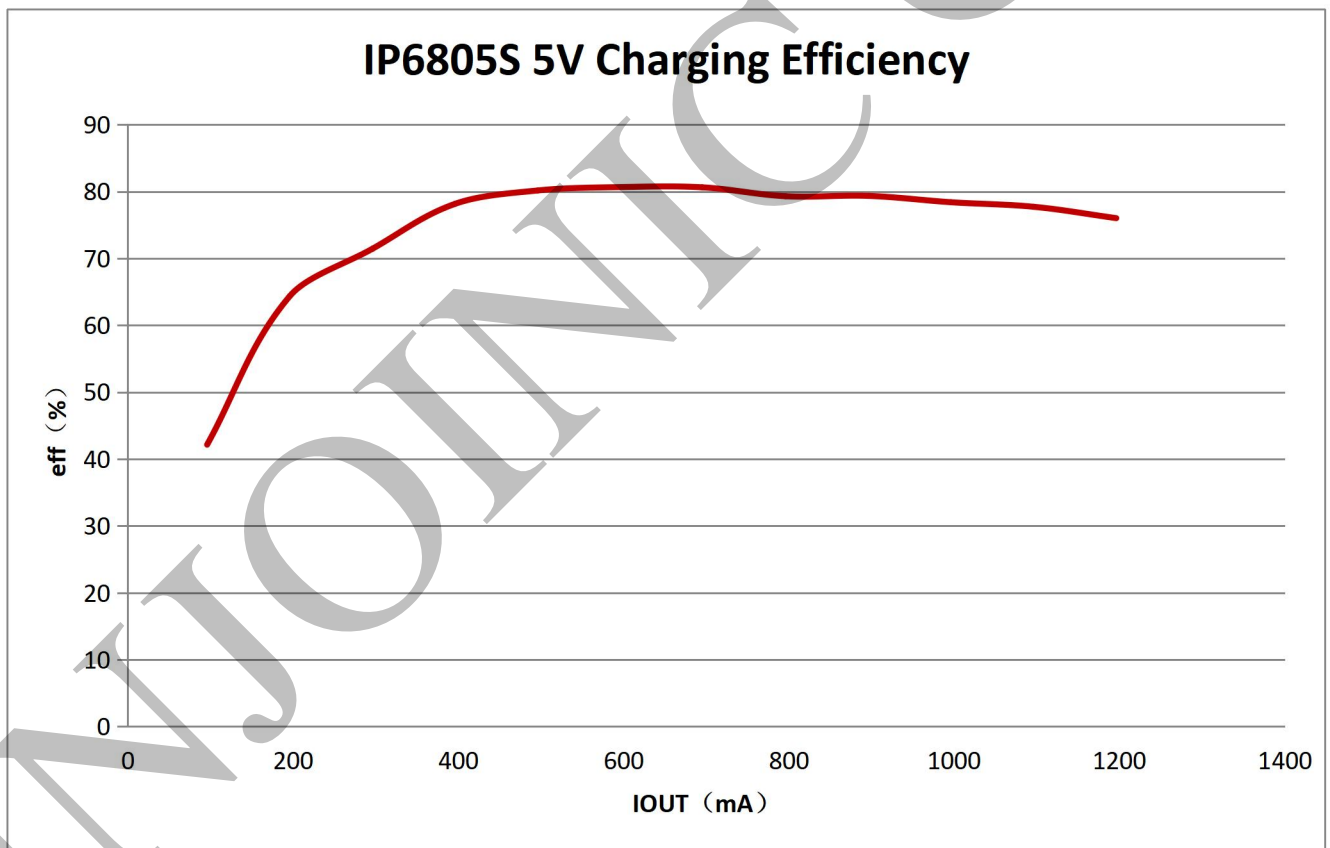


Figure 9 System efficiency(using IDT P9221 RX)

12 Layout Notifications

The EPAD (PGND) and GND of the IP6805S are connected via a 20mR resistor, requiring a large copper lay to ensure current sampling accuracy.

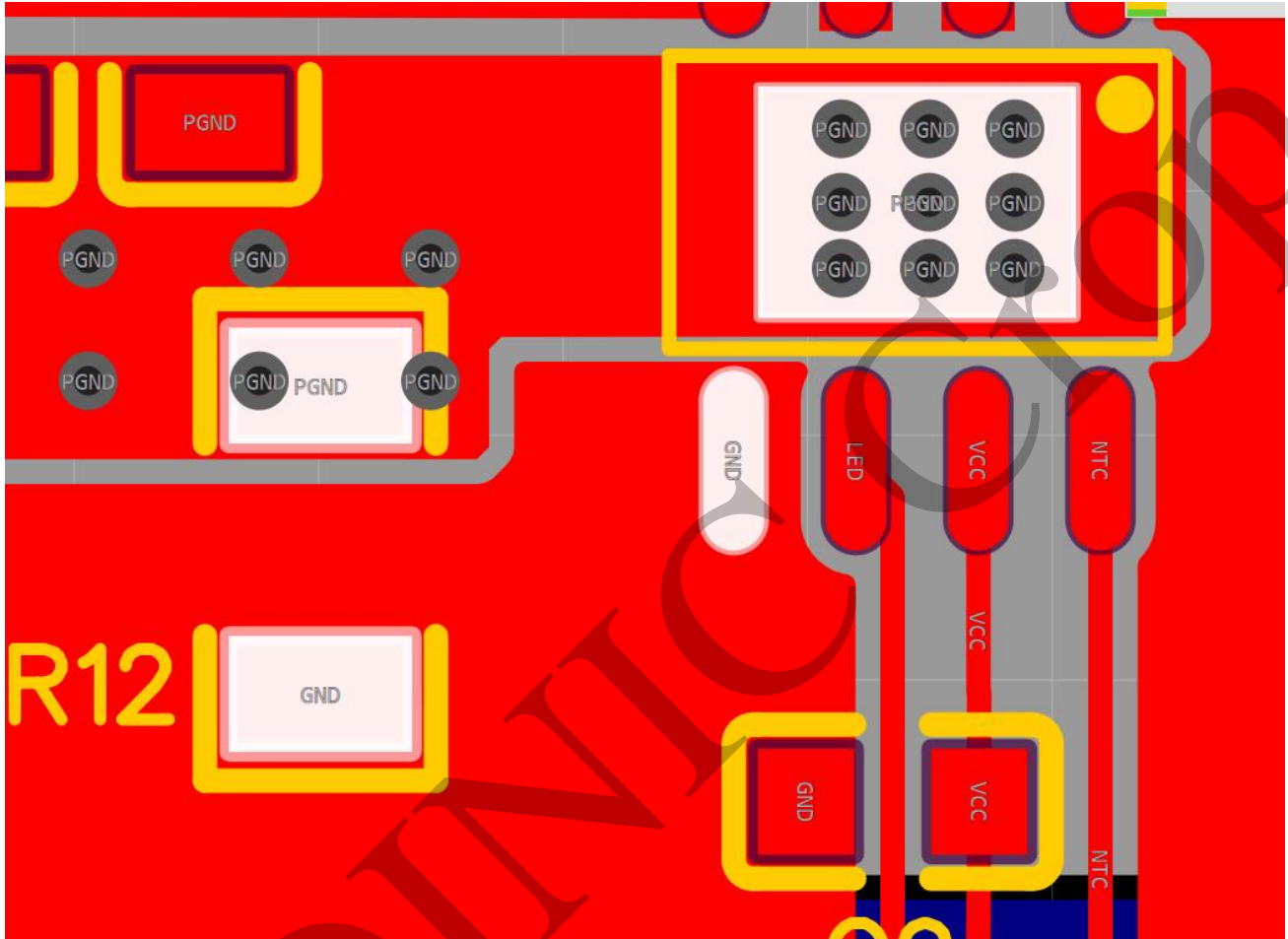


Figure 10 20mR Sampling Resistor Track

13 Typical Application Schematic

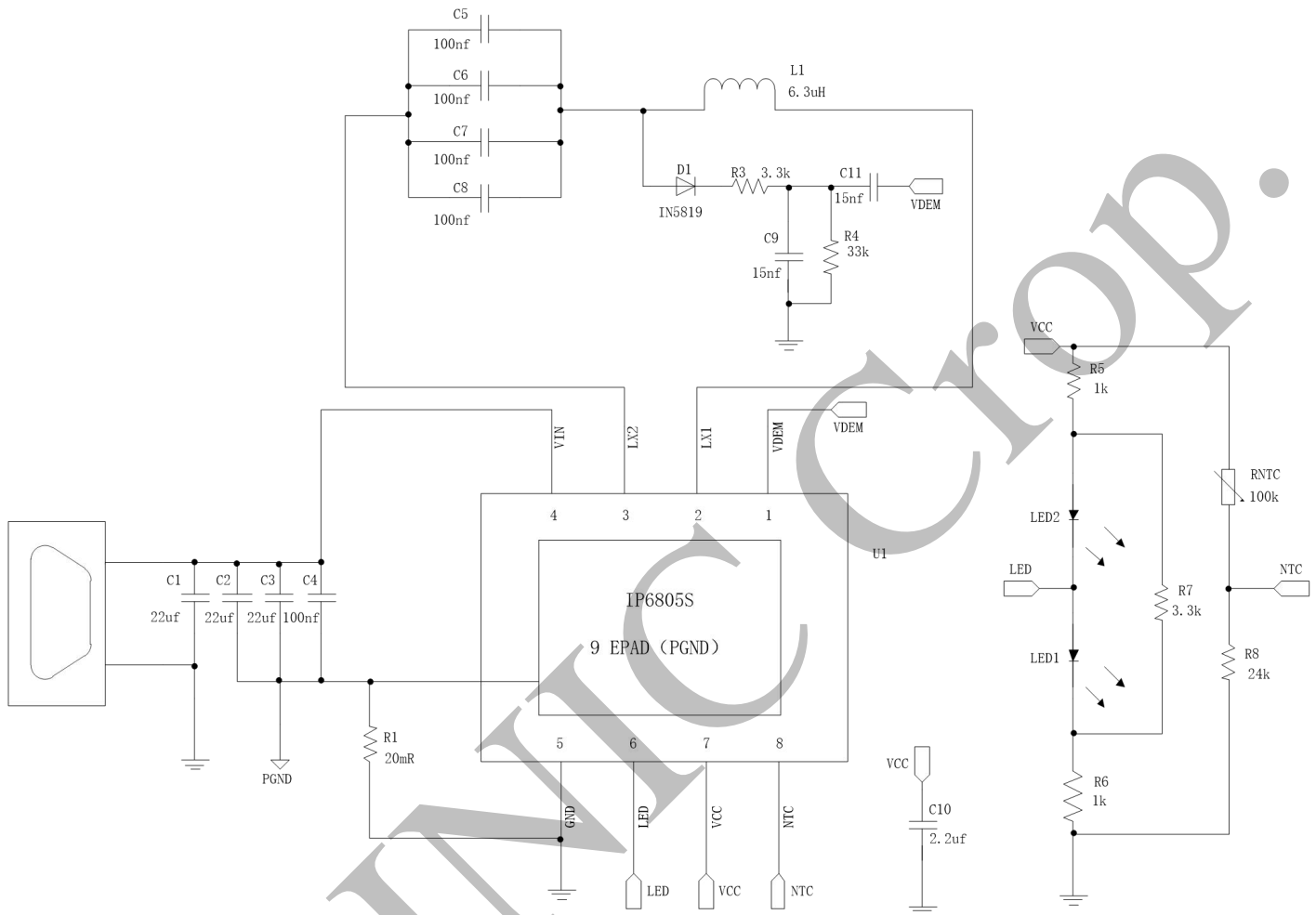


Figure 11 Typical Application Schematic

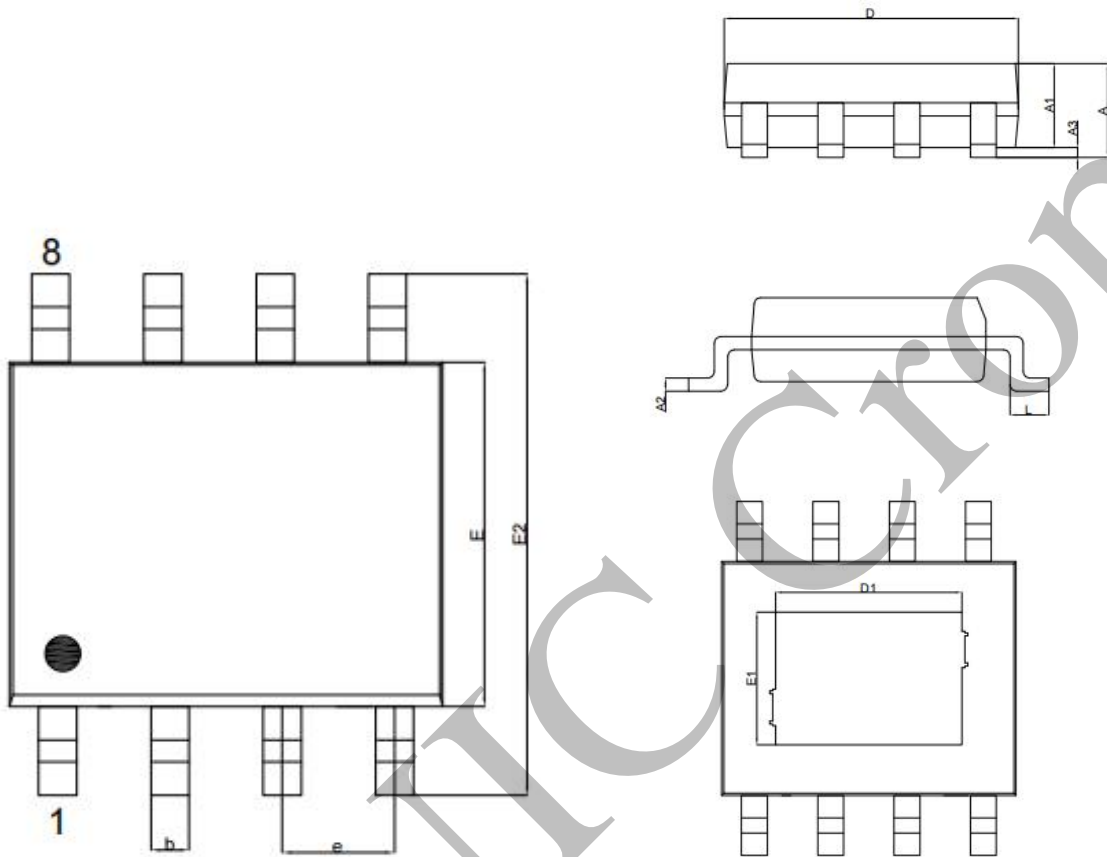
Description:

- (1) The EPAD of the IP6805S is PGND, and PGND and GND are connected through a 20mR resistor; the 20mR needs to be selected as a high precision sampling resistor.
- (2) C2, C3, C4 should be placed close to the VIN pin.
- (3) C10 should be placed close to the VCC pin.
- (4) The loop area of LX1 and LX2 should be as small as possible.

14 Bom

Item	Part Name	Description&specification	Description	Qty
1	IP6805S	ESOP8 IP6805S	U1	1
2	NPO or CBB capacitor	100nF 100V	C5、C6、C7、C8	4
3	SMD capacitor	0805C 22uF 25V	C2 C3	2
4	SMD capacitor	0603C 15nF 25V	C9 C11	2
5	SMD capacitor	0603C 2.2μF 25V	C10	1
6	Precision low temperature drift resistor	1206R 20mR 1%	R1	1
8	SMD resistor	0603R 3.3K	R3 R7	2
9	SMD resistor	0603R 33K	R4	1
10	SMD resistor	0603R 1K	R5/R6	2
11	SMD resistor	0603R 24K	R8	1
12	NTC thermistor	100K 25°C B=3950	RNTC	1
13	Schottky Barrier Diode	IN5819	D1	1
14	LED	0603D	LED1 LED2	2
15	Wireless charging coil	A11	L1	1

15 Package



	POD	ESOP8L		
	Symbol	Minimum	Normal	Maximum
		Size unit: mm		
Total Thickness	A	-	-	1.65
Molding Thickness	A1	1.30	1.40	1.50
LF Thickness	A2	0.20	-	0.24
Stand Off	A3	0.05	-	0.15
Body Size	D	4.80	4.90	5.00
	E	3.80	3.90	4.00
	E2	5.80	6.00	6.20
Exposed Pad Size	D1	-	3.1	-
	E1	-	2.21	-
Lead Width	b	0.39	-	0.47
Lead Length	L	0.50	0.60	0.80
Lead Pitch	e	1.27 BSC		

16 IMPORTANT NOTICE

INJOINIC TECHNOLOGY and its subsidiaries reserve the right to make corrections, enhancements, improvements and other changes to its semiconductor products and services. Buyers should obtain the latest relevant information before placing orders and should verify that such information is current and complete. All semiconductor products (also referred to herein as “components”) are sold subject to INJOINIC TECHNOLOGY's terms and conditions of sale supplied at the time of order acknowledgment.

INJOINIC TECHNOLOGY assumes no liability for applications assistance or the design of Buyers' products. Buyers are responsible for their products and applications using INJOINIC TECHNOLOGY's components. To minimize the risks associated with Buyers' products and applications, Buyers should provide adequate design and operating safeguards.

Buyer acknowledges and agrees that it is solely responsible for compliance with all legal, regulatory and safety-related requirements concerning its products, and any use of INJOINIC TECHNOLOGY's components in its applications, notwithstanding any applications-related information or support that may be provided by INJOINIC TECHNOLOGY. Buyer represents and agrees that it has all the necessary expertise to create and implement safeguards which anticipate dangerous consequences of failures, monitor failures and their consequences, lessen the likelihood of failures that might cause harm and take appropriate remedial actions. Buyer will fully indemnify INJOINIC TECHNOLOGY and its representatives against any damages arising out of the use of any INJOINIC TECHNOLOGY's components in safety-critical applications.

Reproduction of significant portions of INJOINIC TECHNOLOGY's information in INJOINIC TECHNOLOGY's data books or data sheets is permissible only if reproduction is without alteration and is accompanied by all associated warranties, conditions, limitations, and notices. INJOINIC TECHNOLOGY is not responsible or liable for such altered documentation. Information of third parties may be subject to additional restrictions.

INJOINIC TECHNOLOGY will update this document from time to time. The actual parameters of the product may vary due to different models or other items. This document voids all express and any implied warranties.

Resale of INJOINIC TECHNOLOGY's components or services with statements different from or beyond the parameters stated by INJOINIC TECHNOLOGY for that component or service voids all express and any implied warranties for the associated INJOINIC TECHNOLOGY's component or service and is an unfair and deceptive business practice. INJOINIC TECHNOLOGY is not responsible or liable for any such statements.